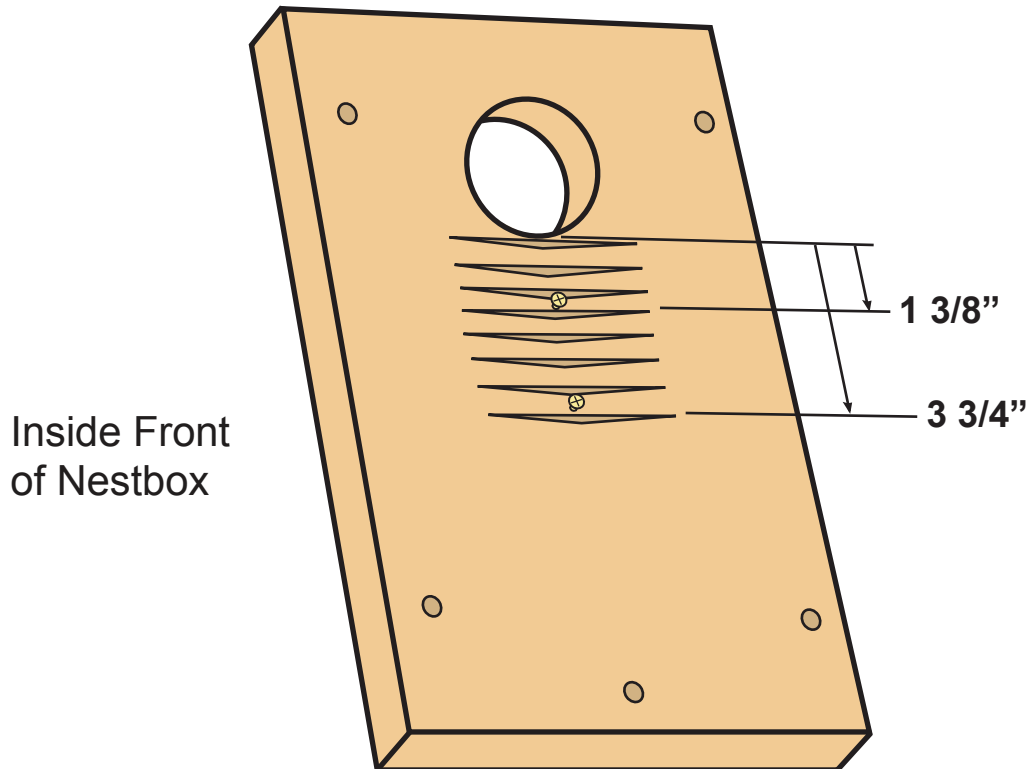


Matt Wiese - Leadership Project

Nest Box Assembly: ON THE INSIDE of the nestbox measure $1 \frac{3}{8}$ " and $3 \frac{3}{4}$ " in a centerline from the bottom edge of the round opening. Mark both measurements. At those measurements insert the 2 small screws provided. Do not screw in all the way. These will act as anchors for the Sparrow Trap.

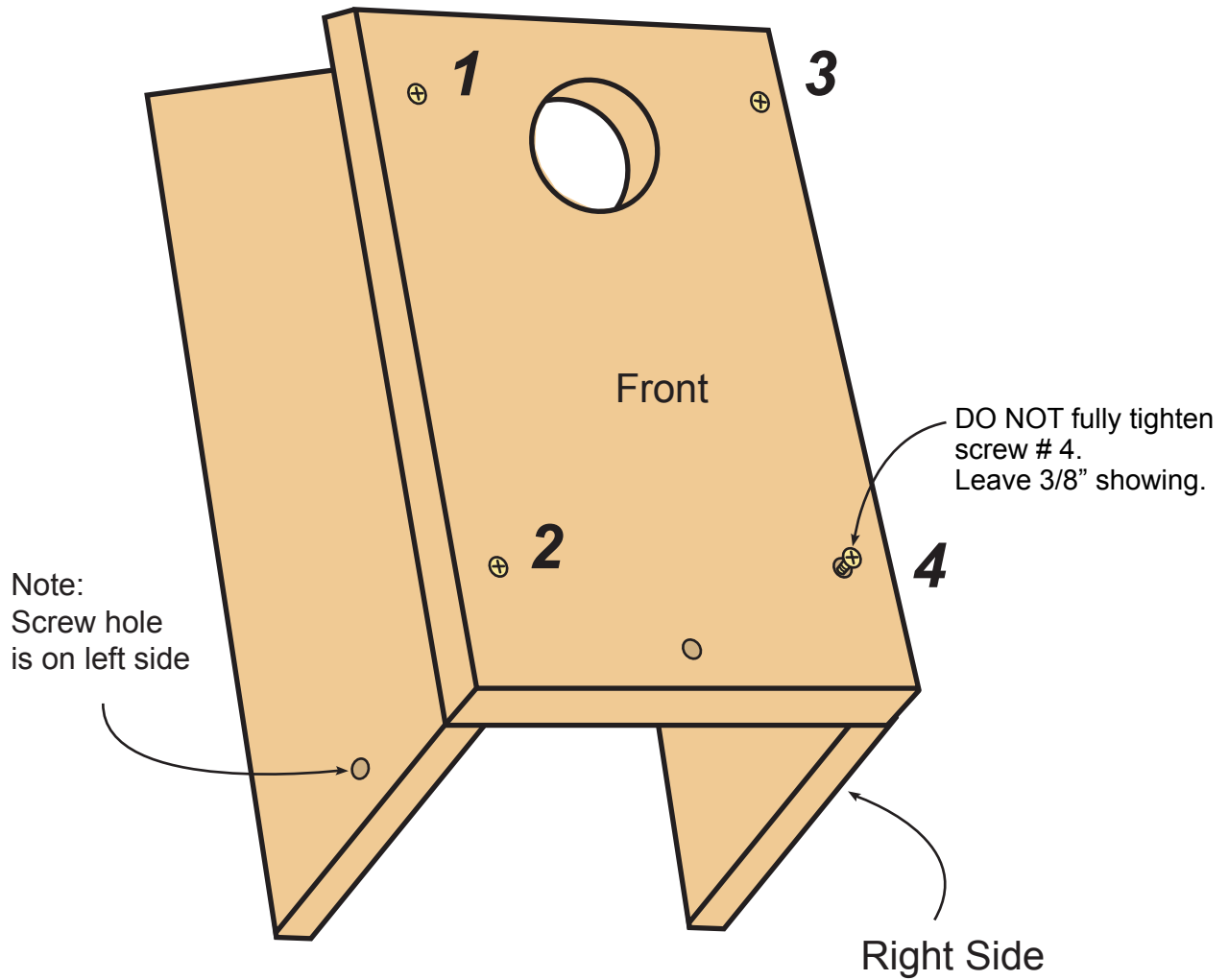
Step 1



Matt Wiese - Leadership Project

Nest Box Assembly: Using the screws provided attach the **Front** to the **Left Side** and then to the **Right Side**. Follow the numbering sequence shown below.

Step 2



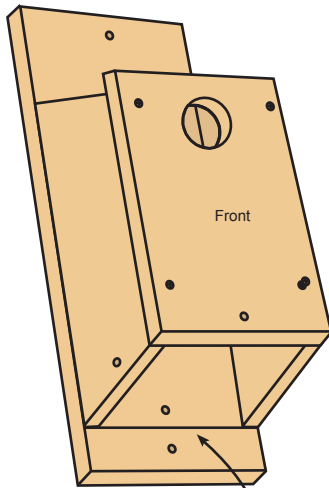
Matt Wiese - Leadership Project

Nest Box Assembly: Position **Back** piece to the **Front and Sides** on the pencil line.

(Important: pencil line faces forward.)

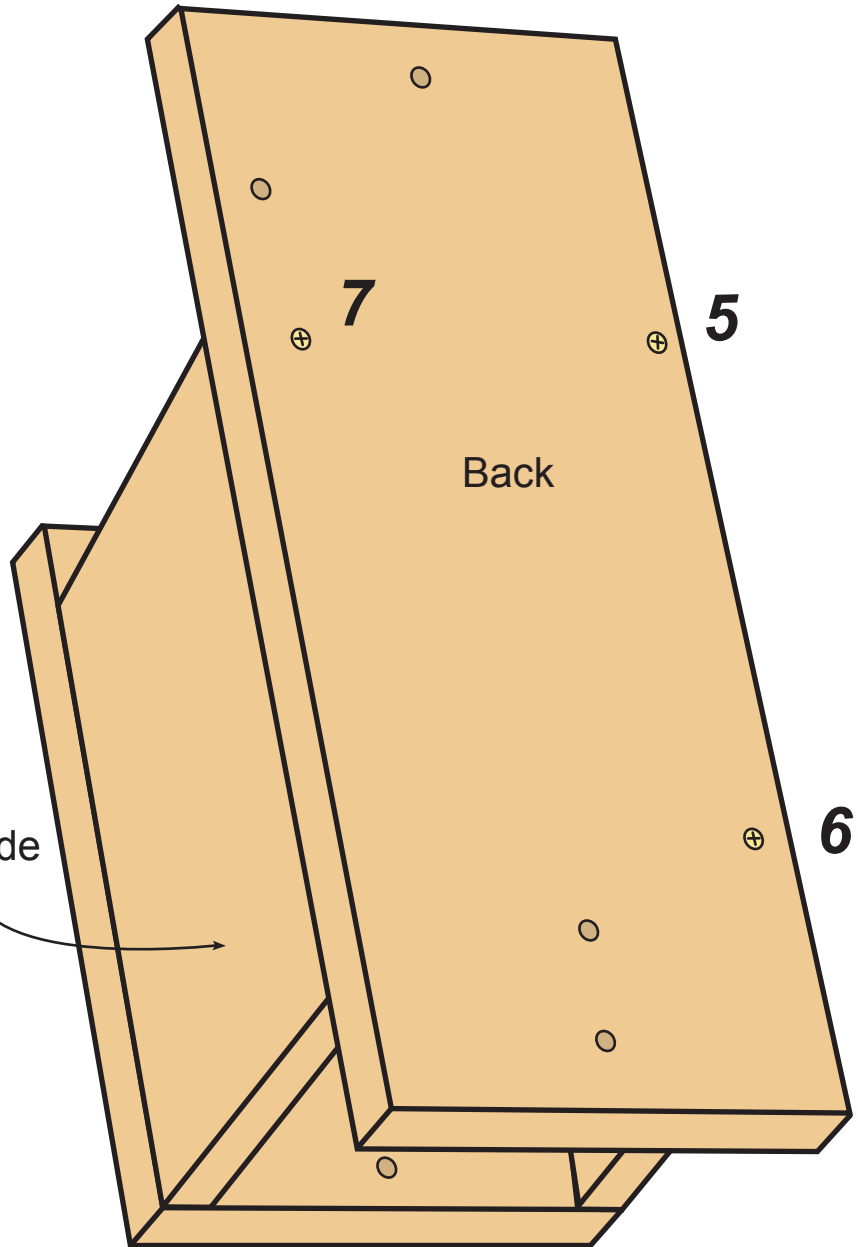
Fasten screws into the **Back** in the sequence shown in the diagram below.

Step 3



Note: Pencil Line

Right Side

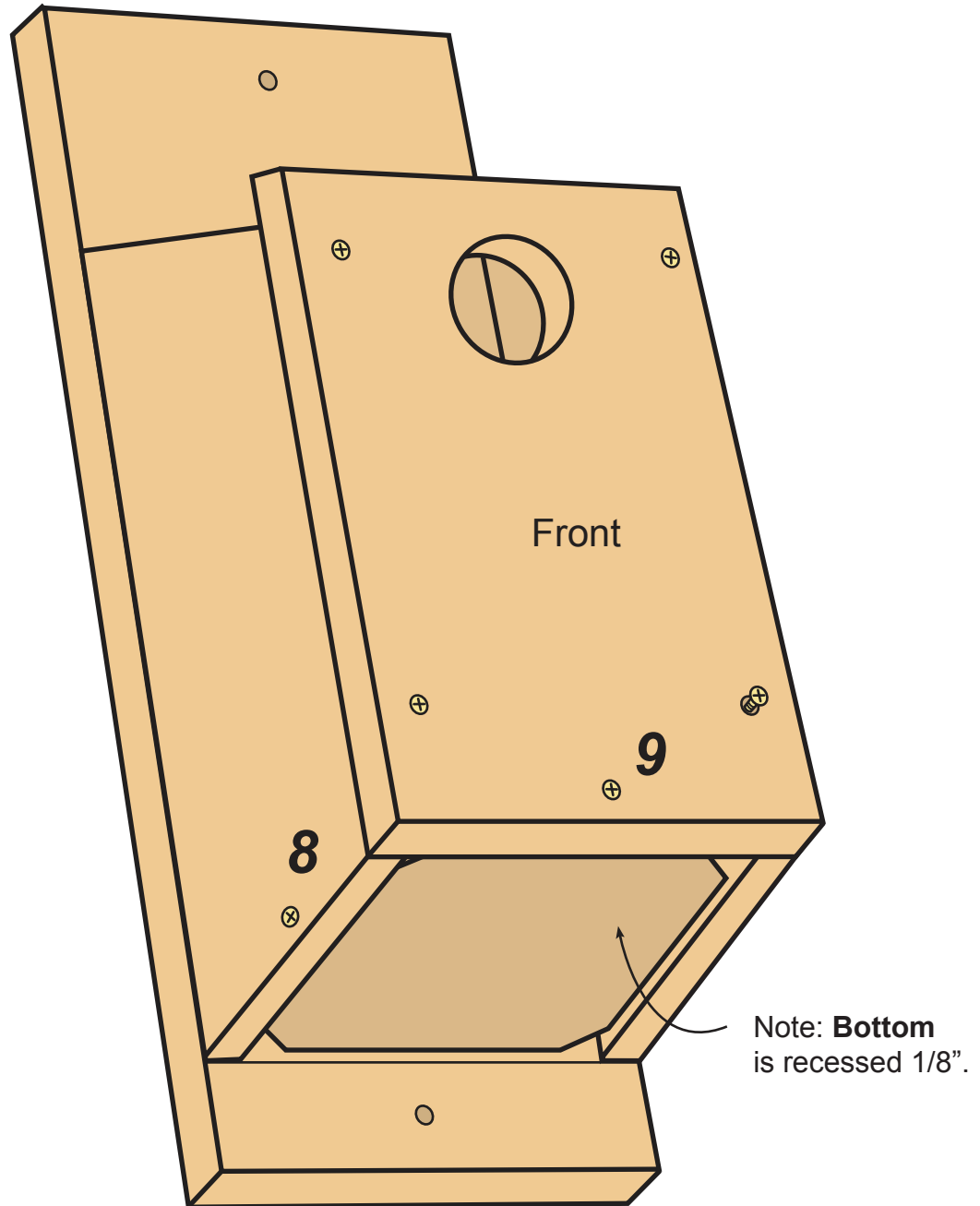


Matt Wiese - Leadership Project

Nest Box Assembly: Inset **Bottom (Floor)** piece. Note: recessed 1/8".

Fasten screws in sequence shown below.

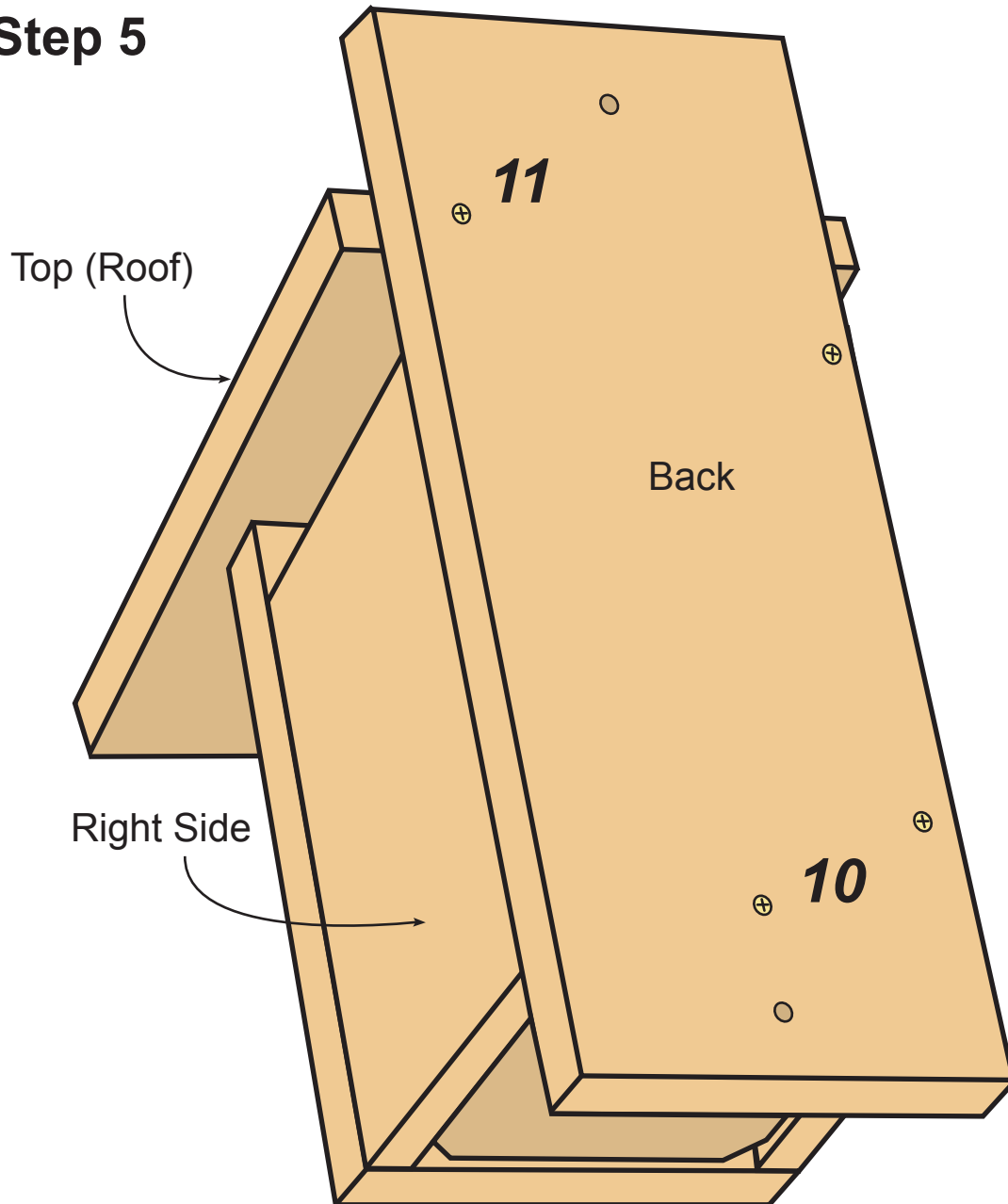
Step 4



Matt Wiese - Leadership Project

Nest Box Assembly: Secure **Bottom (Floor)**. Center align **Top (Roof)** to the **Back** and fasten in place. Follow sequence indicated below.

Step 5



Matt Wiese - Leadership Project

Nest Box Assembly: Secure **Top (Roof)** to nestbox. Follow fastening sequence indicated below. Assembly is complete.

Step 6

