

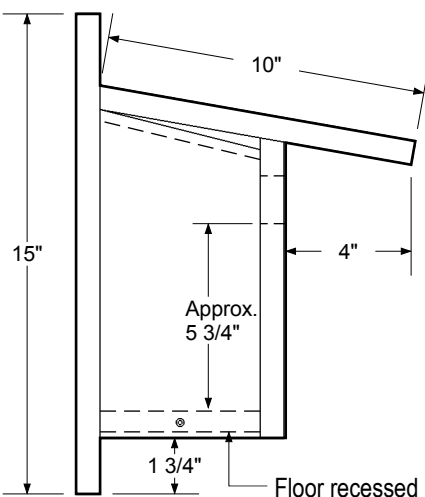
9 3/8"

1 1/2" or 1 9/16"  
Dia.

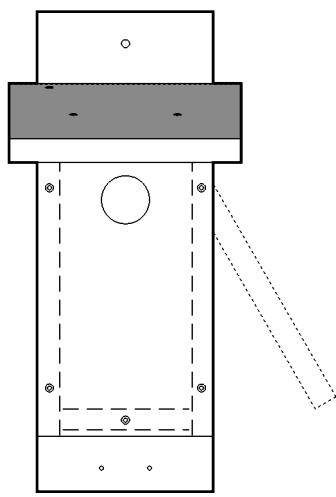
**FRONT**

10° Bevel

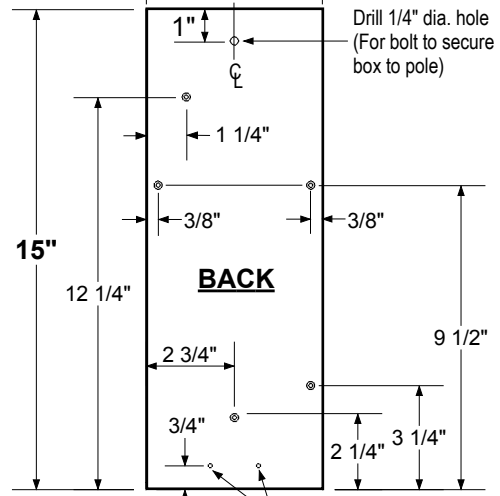
Saw  
kerfs on  
inside of  
Front  
(TRES  
Ladder)



**LEFT SIDE VIEW**

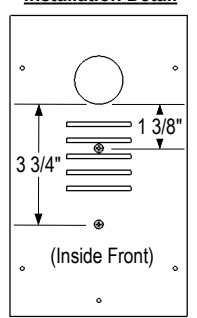


**FRONT VIEW**

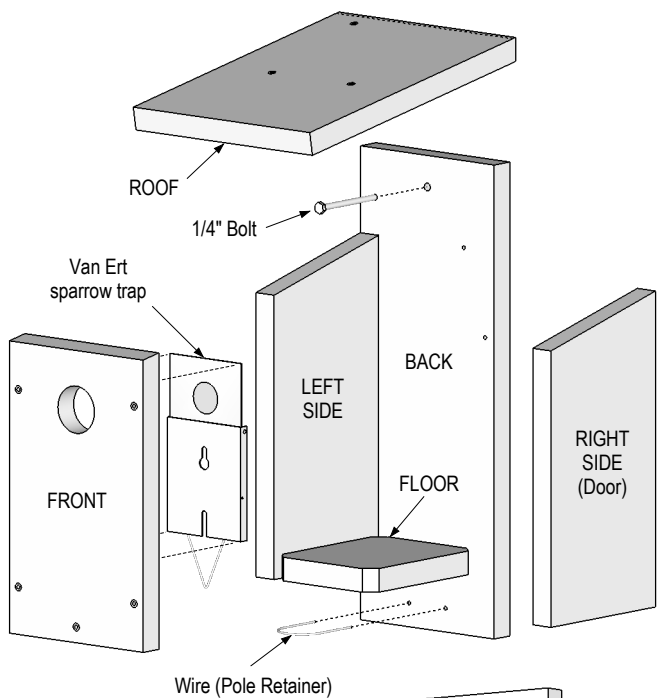


**BACK**

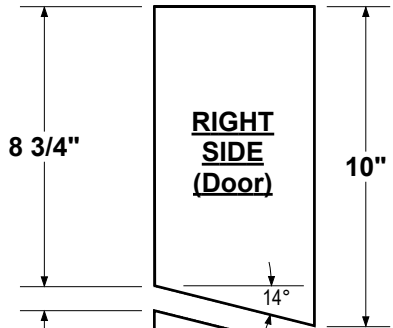
**Van Ert Sparrow Trap  
Installation Detail**



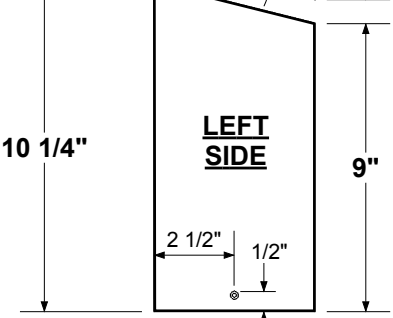
Adjust top screw 1/16"  
from wood. Adjust  
bottom screw 1/4"  
from wood.



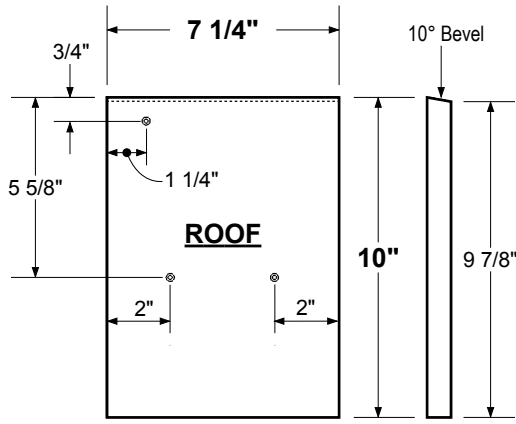
Note: If using cedar (smooth one side,  
rough one side) assemble box with  
smooth sides facing inside of box.



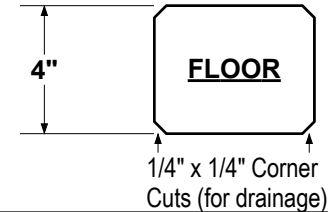
**RIGHT  
SIDE  
(Door)**



**LEFT  
SIDE**



**ROOF**



**FLOOR**

- Materials:**  
 1 x 6 (3/4" x 5 1/2") x 48" long  
 1 x 8 (3/4" x 7 1/4") x 10" long  
 (14) #8 x 1 1/2" Exterior Wood Screws  
 (1) 1/4" x 3" Bolt with washer and nut  
 (1) 1/16" dia. wire x 8" long  
 (1) Van Ert Universal Sparrow Trap  
 (2) #8 x 1/2" pan head sheet metal screws

**Zeppick  
Bluebird Nestbox**  
 designed by Darlene Sillick & Charlie Zepp